

A modern, multi-story office building with a blue-tinted facade and large windows. The Yealink logo is visible on the upper right corner of the building. The sky is a clear, deep blue.

Yealink

IP Phone New Product Training

▶ 01 Yealink SIP Phone Portfolio

T5 Series

IP Desk Phone



T58W\T58W Pro



T57W



T54W



T53W\T53

T4 Series

IP Desk Phone



T48U



T46U



T44W



T44U



T43U



T42U

T3 Series

IP Desk Phone



T34W



T33G



T31W



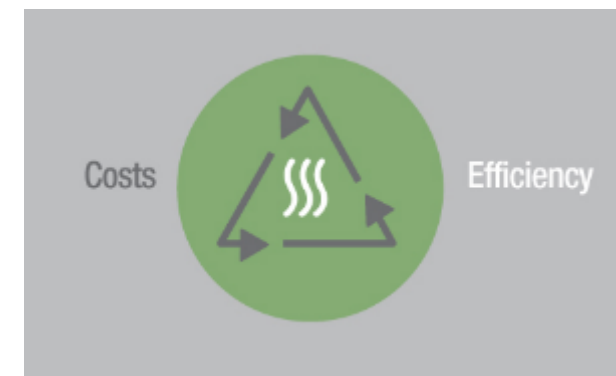
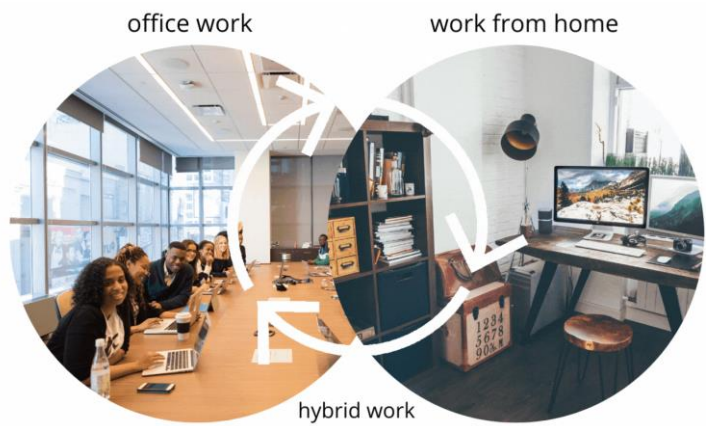
T31G\T31P



T30P\T30

▶ 02 **New Product Position**

Market Trend



Wireless

Hybrid Work

Cost Reduction & Improve Efficiency

Solution



T31W



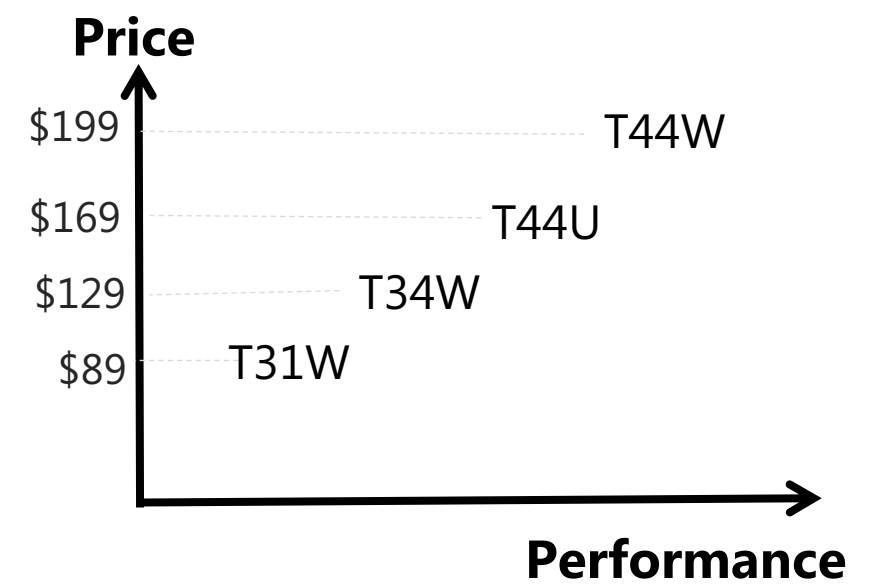
T34W



T44U



T44W



Sample: June

September

October

November

Launch: July

October

October

November

▶ 03 New Product Introduce



SOHO



Street store



School



Retail store

■ Feature

- Less people
- Wi-Fi coverage
- Lack of internet port
- Wired deployment is cumbersome and expensive



Compared with wired network:

- (1) Simple wiring
- (2) Low cost

Compared with Wi-Fi USB Dongle:

- (1) Save a USB port
- (2) No extra accessories
- (3) Elegant

■ Wi-Fi Spec

Transmission rate: Up to 433Mbps (dynamic)

Frequency range: 2.4GHz/5.0GHz

■ Wi-Fi Network standard

IEEE802.11a/b/g/n/ac

■ Wi-Fi Security

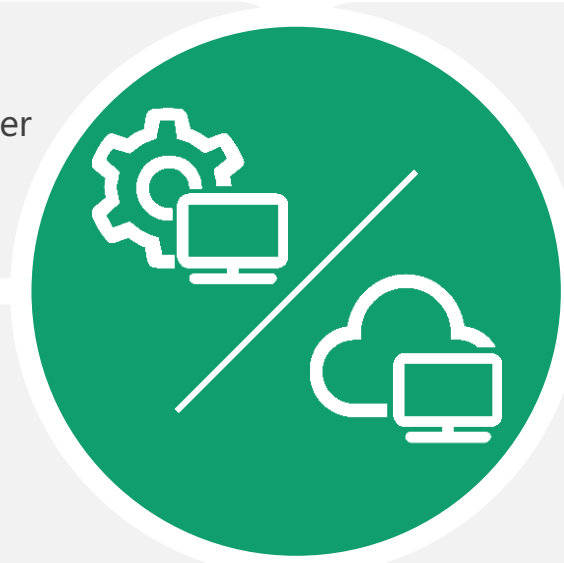
WPA3 provide your network with active defense against security threats



The Yealink Device Management Platform offers a comprehensive management solution.

Remote Diagnostics

Get the debug files with one click, which, together with remote reset/reboot, reduces after-sales service costs and improves the efficiency



Timer Tasks With Flexibility

Schedule one-off or recurring tasks at pre-defined times and intervals

Call Statistics With Real-Time Alarm

Graphical QoE and real-time alarm notification with rules

Unified Deployment & Management

Bulk configuration, and customization by region/department/model

- Users can choose between the cloud-based solution YMCS and the on premise solution YDMP

▶ 04 T31W Key Features

■ Position

- Entry-level Wi-Fi phone, it meets the needs of wireless office.
- Targeted at the small SMB market.

■ Advantage

- 2.3" 132x64-pixel graphical LCD with backlight
- 2 10/100M Ethernet
- 2 Line keys
- 2 Memory Keys
- G.722, Opus
- Smart noise filtering
- Stand with two adjustable angles
- Wall mountable
- PoE support
- Support EHS Wireless Headset
- Built-in Wi-Fi 2.4G/5G
- 2 SIP accounts
- 5-Way Conference



Built-in Wi-Fi



Unified
Firmware



EHS



Device
Management



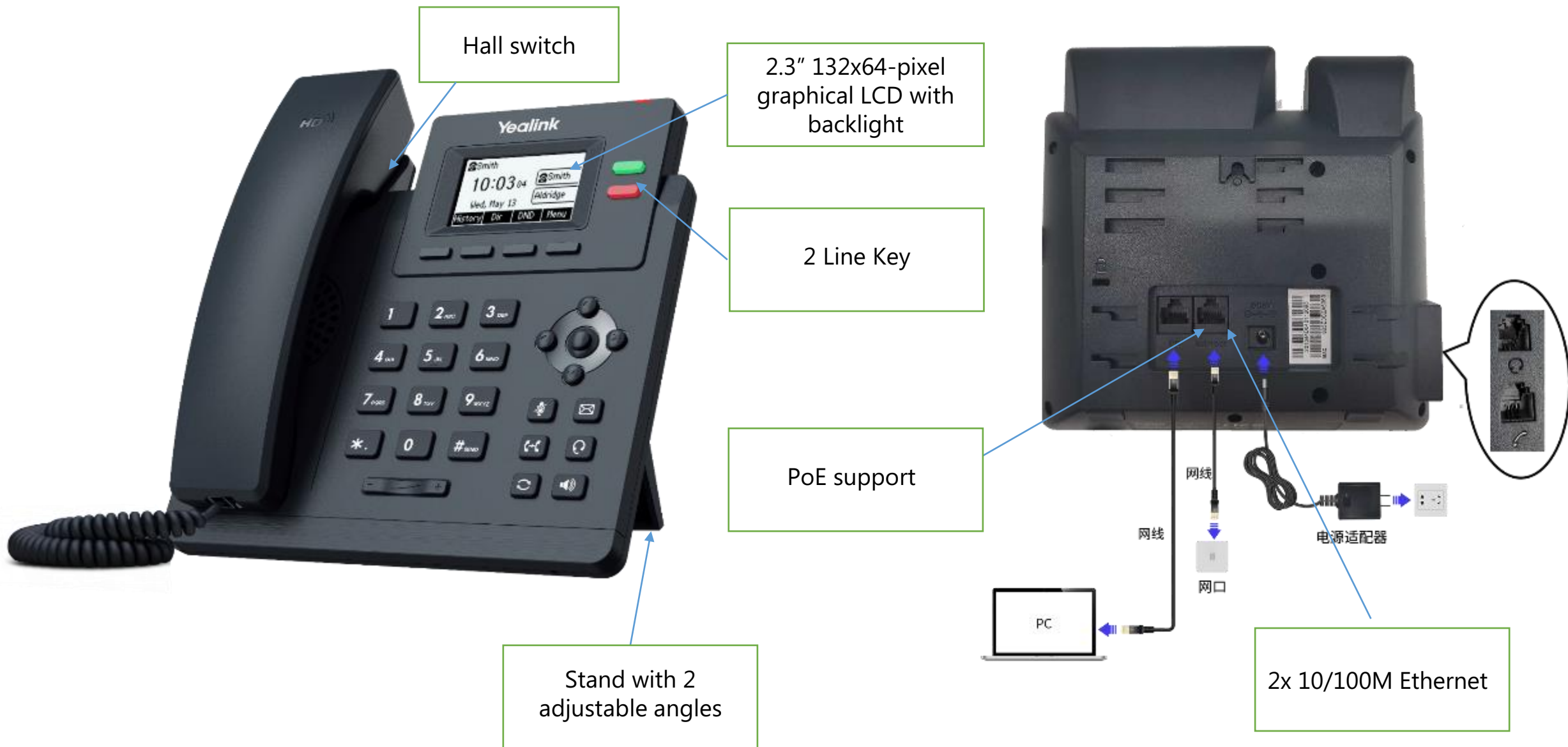
HD

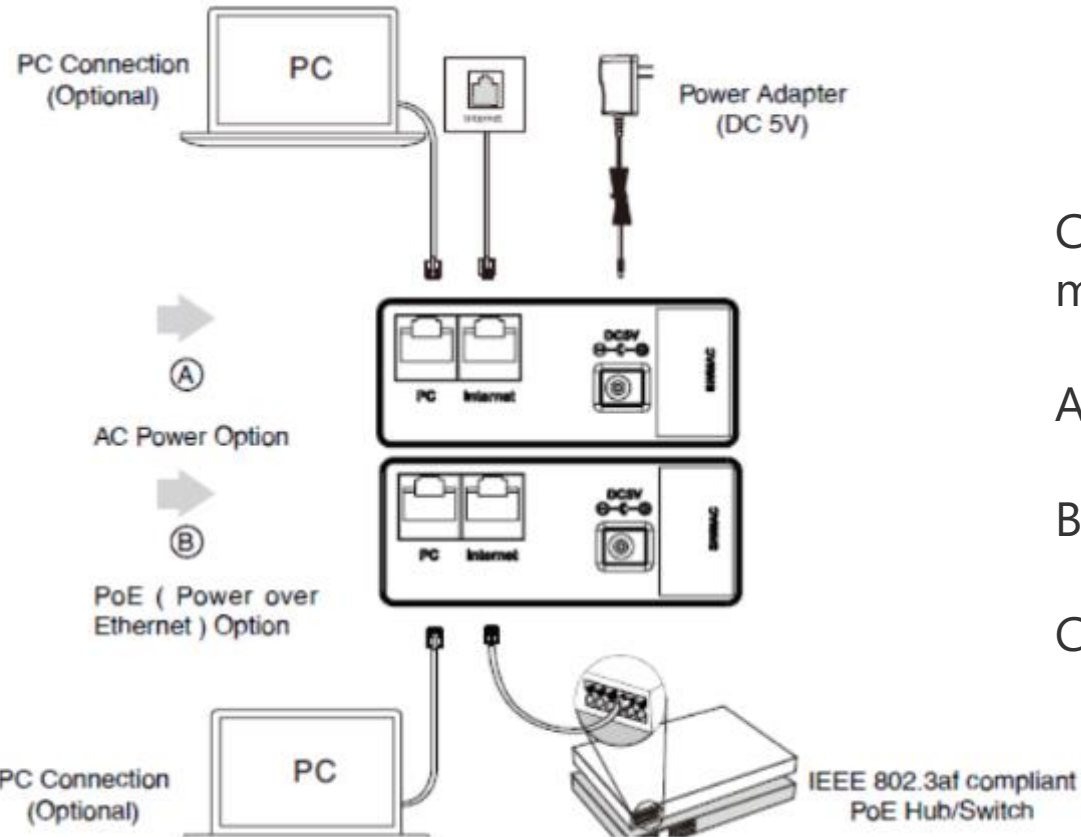
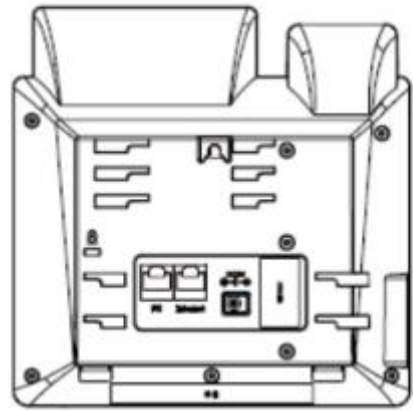


Opus



5-way
Conferencing





Connect power and the network using method A or method B or method C:

A: Power Adapter + Internet cable

B: PoE Hub/Switch

C: Power Adapter + Wi-Fi

▶ 05

T34W Key Features

■ Position

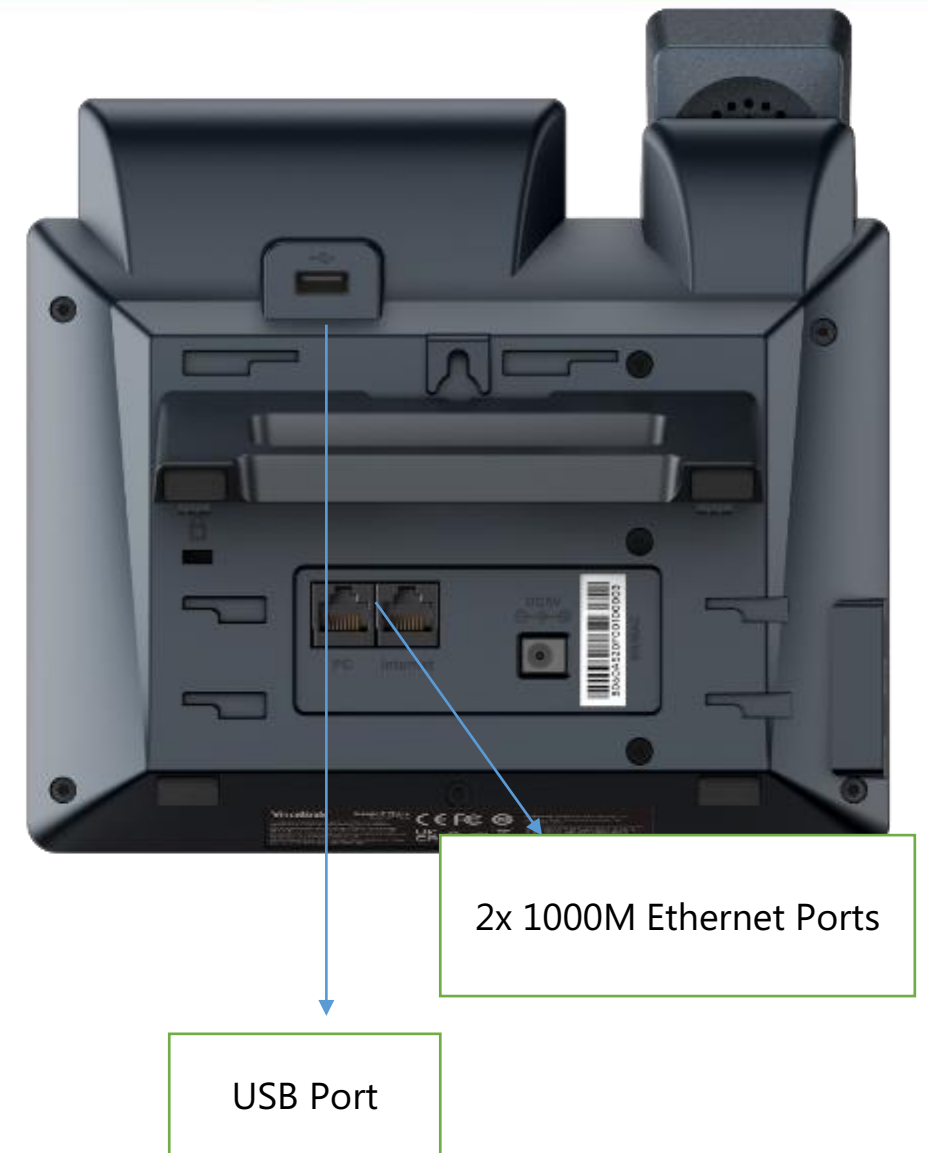
- Supplement to entry-level Wi-Fi phone, it meets the needs of wireless office.
- Targeted at the small SMB market.

■ Advantage

- 2.4" 320 x 240-pixel color display
- 4 Line keys
- 12 Memory Keys
- Acrylic Design
- G.722, Opus
- Smart noise filtering
- 1 USB Type-A Port
- Bluetooth via BT50/BT51
- Built-in Wi-Fi 2.4G/5G
- 2 1000M Ethernet Ports
- PoE support
- 4 SIP accounts
- 5-Way Conference



Yealink T34W Elegant Industrial Design





USB Headset



UH34



UH36



UH37



UH38



WH62



WH63



WH66



WH67



Bluetooth USB Dongle

BT50/BT51/BT51(v1)

BT connect



BH71



BH72



BH76



Dect USB Dongle

WDD60

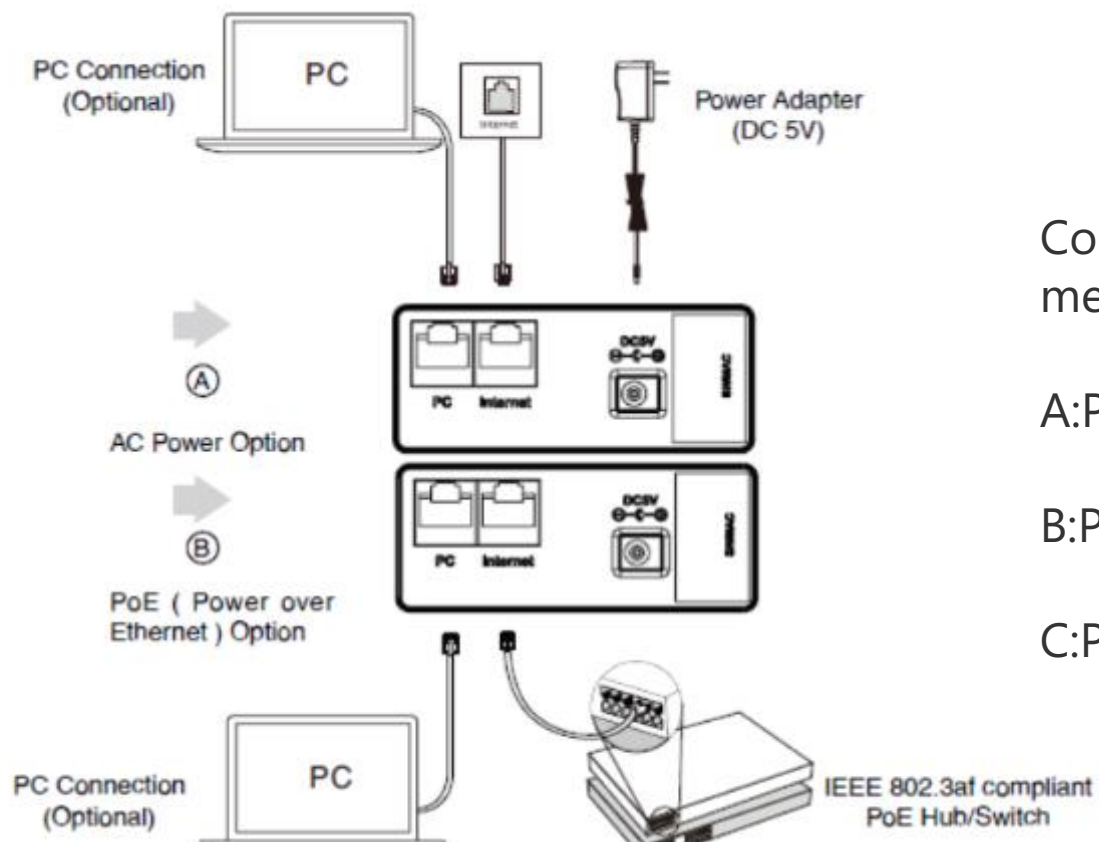
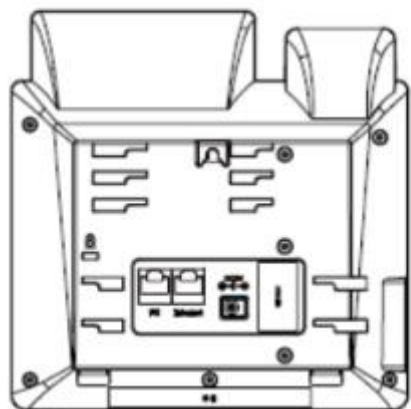
DECT connect



WH62 Portable



WH63 Portable



Connect power and the network using method A or method B or method C:

A: Power Adapter + Internet cable

B: PoE Hub/Switch

C: Power Adapter + Wi-Fi

▶ 06

T44U Key Features

■ Position

- Middle-level color LCD USB phone
- Aiming at customers who have requirements for color screens

■ Advantage

- 2.8" 320x240 Color LCD with backlight
- 8 Line keys
- 21 Memory Keys
- Acoustic Shield
- Smart noise filtering
- Dual USB ports
- Support USB recording
- Wi-Fi via WF40/WF50/WF50(V1)
- Bluetooth via BT41/BT50/BT51
- 2 1000M Ethernet Ports
- PoE support
- 12 SIP accounts
- 5-Way Conference



Optima
HD Voice



Dual USB
Ports



Acoustic
Shield



Unified
Firmware



Gigabit



Expansion
Module



Opus Codec

Yealink T44U Elegant Industrial Design

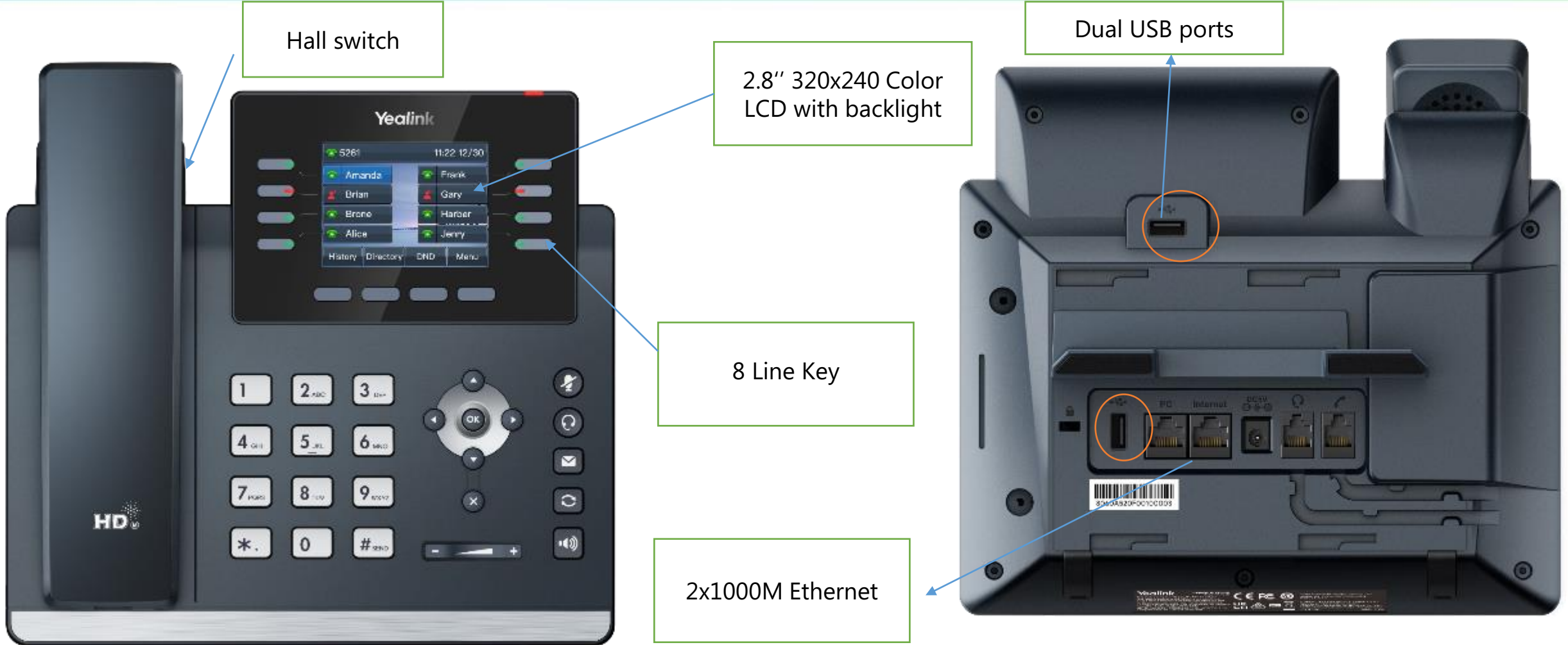
Hall switch

2.8" 320x240 Color LCD with backlight

Dual USB ports

8 Line Key

2x1000M Ethernet





Yealink Optima HD Voice technology combines cutting-edge hardware and software with wideband technology for maximum acoustic performance.



Acoustic Shield



Smart Noise Filtering



Opus Codec



HAC Handset



Dual USB Ports

- No EXT port anymore
- Totally support six kinds of USB accessories
- Use any two of USB accessories as you need



USB Headset



USB Flash Drive



Bluetooth USB Dongle



Wi-Fi USB Dongle



EHS40



DECT USB Dongle



EXP43



EXP43

- The 4.3-inch 272x480-pixel color screen expansion module is designed to offer advanced call handling capabilities with its simplified UI and up to 60 programmable keys for various features

▶ 07

T44W Key Features

■ Position

- Middle-level color LCD Wi-Fi phone
- **Built-in Wi-Fi&BT based on T44U**

■ Advantage

- 2.8" 320x240 Color LCD with backlight
- 8 Line keys
- 21 Memory Keys
- Acoustic Shield
- Smart noise filtering
- Dual USB ports
- Support USB recording
- Built-in Wi-Fi 2.4G/5G
- Built-in Bluetooth 4.2
- 2 1000M Ethernet Ports
- PoE support
- 12 SIP accounts
- 5-Way Conference



Optima
HD Voice



Dual USB
Ports



Acoustic
Shield



Unified
Firmware



Built-in Wi-Fi



Gigabit



Expansion
Module



Opus Codec



Built-in Bluetooth 4.2:

Connect Bluetooth headsets

Connect Bluetooth mobile phone: Bluetooth call, Skype call. Contact synchronization with your mobile phone

▶ 08

SIP Phone Spec

Model	T31W	T34W	T44U	T44W
Display	2.3"(132x64) graphical LCD	2.4"(320x240) color LCD	2.8"(320x240)color LCD	2.8"(320x240)color LCD
Line	2	4	12	12
Line Key	2	4	8	8
Memory Key	2	12	21	21
HD Voice	√	√	√	√
Wide-band Codecs	G.722, Opus	G.722, Opus	G.722, Opus	G.722, Opus
Acoustic Shield	×	×	√	√
N-way Conferencing	5	5	5	5
Ethernet Port	Two-port 10/100M Ethernet	2x1000M	2x1000M	2x1000M
PoE	√	√	√	√
Handset Port (RJ-9)	√	√	√	√
Headset Port (RJ-9)	√	√	√	√
USB Port	×	1	2	2
USB Headset	×	√	√	√
USB Recording	×	×	√	√
Bluetooth	×	Via BT Dongle(BT50/BT50/BT51)	Via BT Dongle (BT41/BT50/BT51)	√
Wi-Fi	√	√	Via WF Dongle (WF50)	√
Wireless Headset Adapter	EHS35	EHS35	EHS40	EHS40
Color Expansion Module EXP43	×	×	√	√
Foot Stand	2 adjustable angles	2 adjustable angles	2 adjustable angles	2 adjustable angles
Wall Mounting	√	√	√	√

Model	T30/T30P	T31/T31P/T31G/T31W	T33P/T33G/T34W
Pic			
LCD	2.3" (132x64) graphical LCD	2.3"(132x64) graphical LCD	2.4"(320x240) color LCD
LCD Backlight	x	√ (Adjustable Brightness)	√ (Adjustable Brightness)
Line	1	2	4
Line Key	0	2	4
Memory Key	0	2	12 (4 pages of 3 keys)
PoE	√ (T30P)	√ (T31P/T31G)	√
GigE	x	√ (T31G)	√ (T33G/T34W)
Wi-Fi	x	√ (T31W)	√ (T34W)
USB	x	x	√ (T34W)
Wireless Headset Adapter	EHS35	EHS35	EHS35
N-Way Audio Conferencing	5	5	5
Wide-band Codecs	G.722, Opus	G.722, Opus	G.722, Opus
Narrow-band Codecs	G.711(A/μ), G.729AB, G.726, iLBC, G.723.1	G.711(A/μ), G.729AB, G.726, iLBC, G.723.1	G.711(A/μ), G.729AB, G.726, iLBC, G.723.1
Foot Stand	2 adjustable angles	2 adjustable angles	2 adjustable angles
Wall Mounting	√	√	√
Security Slot	√	√	√
Hall Switch	√	√	√

Model	SIP-T48U	SIP-T46U	SIP-T44U/W	SIP-T43U	SIP-T42U
Display	7" (800 x 480)color touch	4.3" (480 x 272)color	2.8"(320x240)color	3.7" (360 x 160)graphical	2.7"(192 x 64) graphical
Line	16	16	12	12	12
Line Key	0	10	8	8	6
Memory Key	29 touch keys	27 (3 pages of 9 keys)	21 (3 pages of 7 keys)	21 (3 pages of 7 keys)	15 (3 pages of 5 keys)
HD Voice	HD Speaker,HD Handset	HD Speaker,HD Handset	HD Speaker,HD Handset	HD Speaker,HD Handset	HD Speaker,HD Handset
Wide-band Codecs	G.722, Opus	G.722, Opus	G.722,Opus	G.722,Opus	G.722, Opus
Narrow-band Codecs	G.711(A/μ), G.729A/B, G.726,G.723.1, iLBC, Opus	G.711(A/μ), G.729A/B, G.726,G.723.1, iLBC, Opus	G.711(A/μ), G.729A/B, G.726,G.723.1, iLBC, Opus	G.711(A/μ), G.729A/B, G.726,G.723.1, iLBC, Opus	G.711(A/μ), G.729A/B, G.726,G.723.1, iLBC, Opus
N-way Conferencing	10	10	5	5	5
Ethernet Port	2x1000M	2x1000M	2x1000M	2x1000M	2x1000M
PoE	√	√	√	√	√
Handset Port (RJ-9)	√	√	√	√	√
Headset Port (RJ-9)	√	√	√	√	√
USB Port	2	2	2	2	2
USB Headset	√	√	√	√	√
USB Recording	√	√	√	√	√
Bluetooth	BT41	BT41	√ (T44W)	BT41	BT41
Wi-Fi	WF40/WF50	WF40/WF50	√ (T44W)	WF40/WF50	WF40/WF50
Wireless Headset Adapter EHS40	√	√	√	√	√
Color Expansion Module EXP43	√	√	√	√	x
Foot Stand	2 adjustable angles	2 adjustable angles	2 adjustable angles	2 adjustable angles	2 adjustable angles
Wall Mounting	√	√	√	√	√

▶ 09 DECT Phone Portfolio

Business Handset
DECT handset



W73H



W56H



W74H



W78H

Ruggedized Handset
DECT handset



W57R

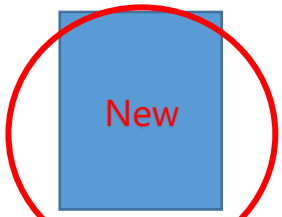


W59R

Base
DECT IP System



Single-Cell
W70B



Mini-MC
W75B



Multi-Cell
W80



Multi-Cell
W90

Model	Launch Time	Introduce
W75B	End of Dec	W75B locates 2-3 Base scenes, Mini MC Scenario
W74H	End of Nov	Based on W73H, Bluetooth and vibration functions are added to supplement the handsets with rich functions in the middle and high-end gears